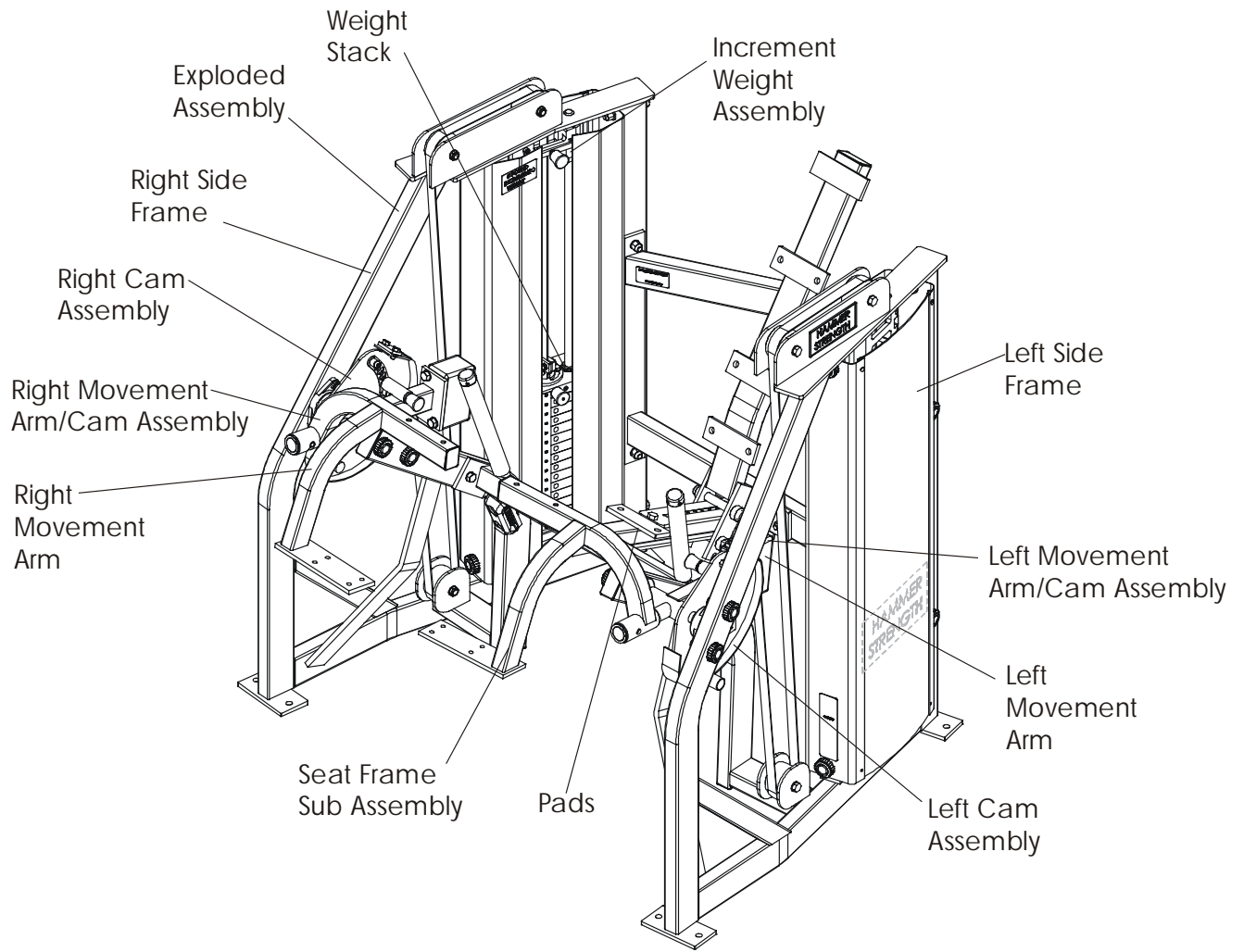


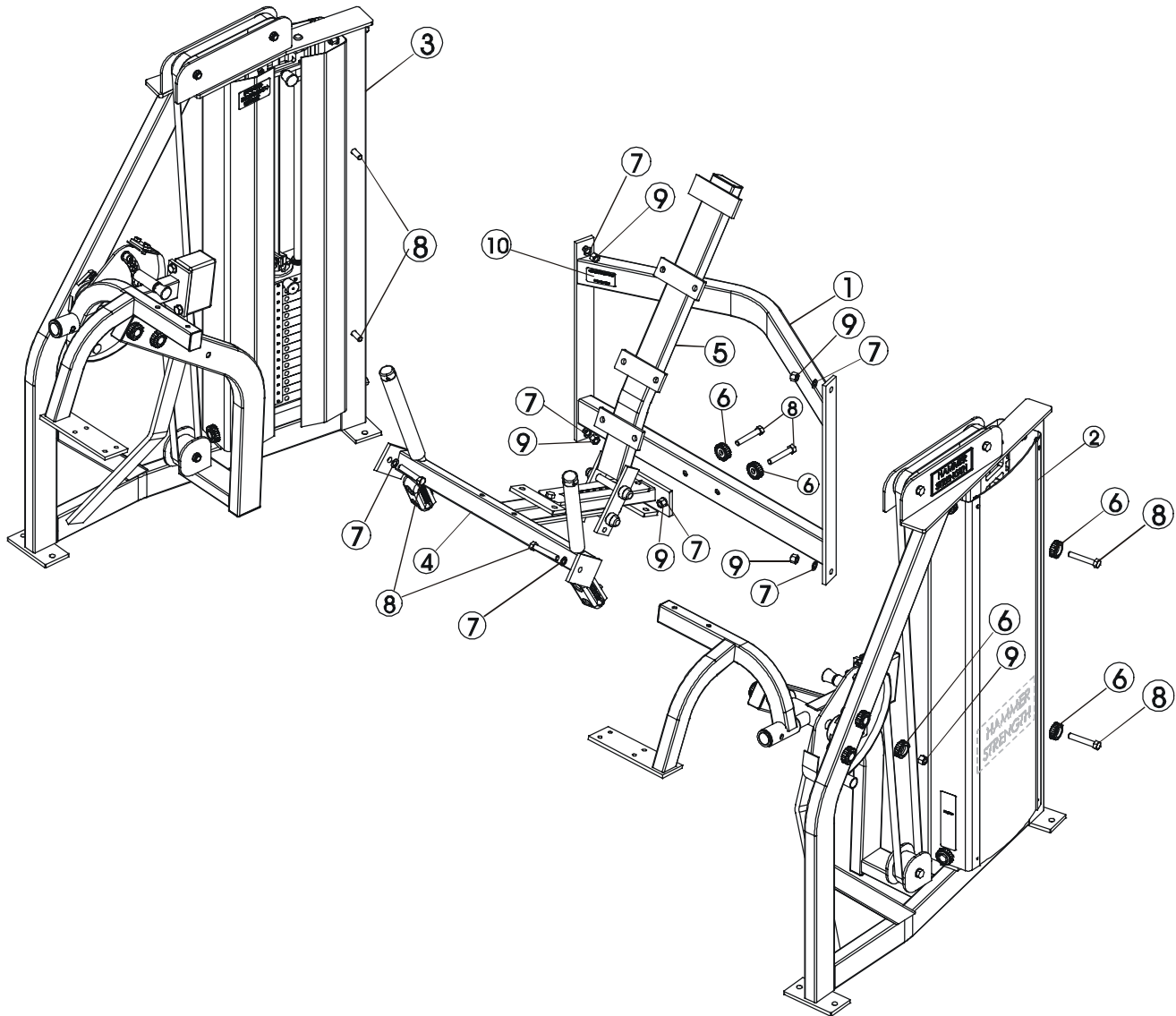
HAMMER STRENGTH EQUIPMENT

MTS Leg Curl - General Assembly



HAMMER STRENGTH EQUIPMENT

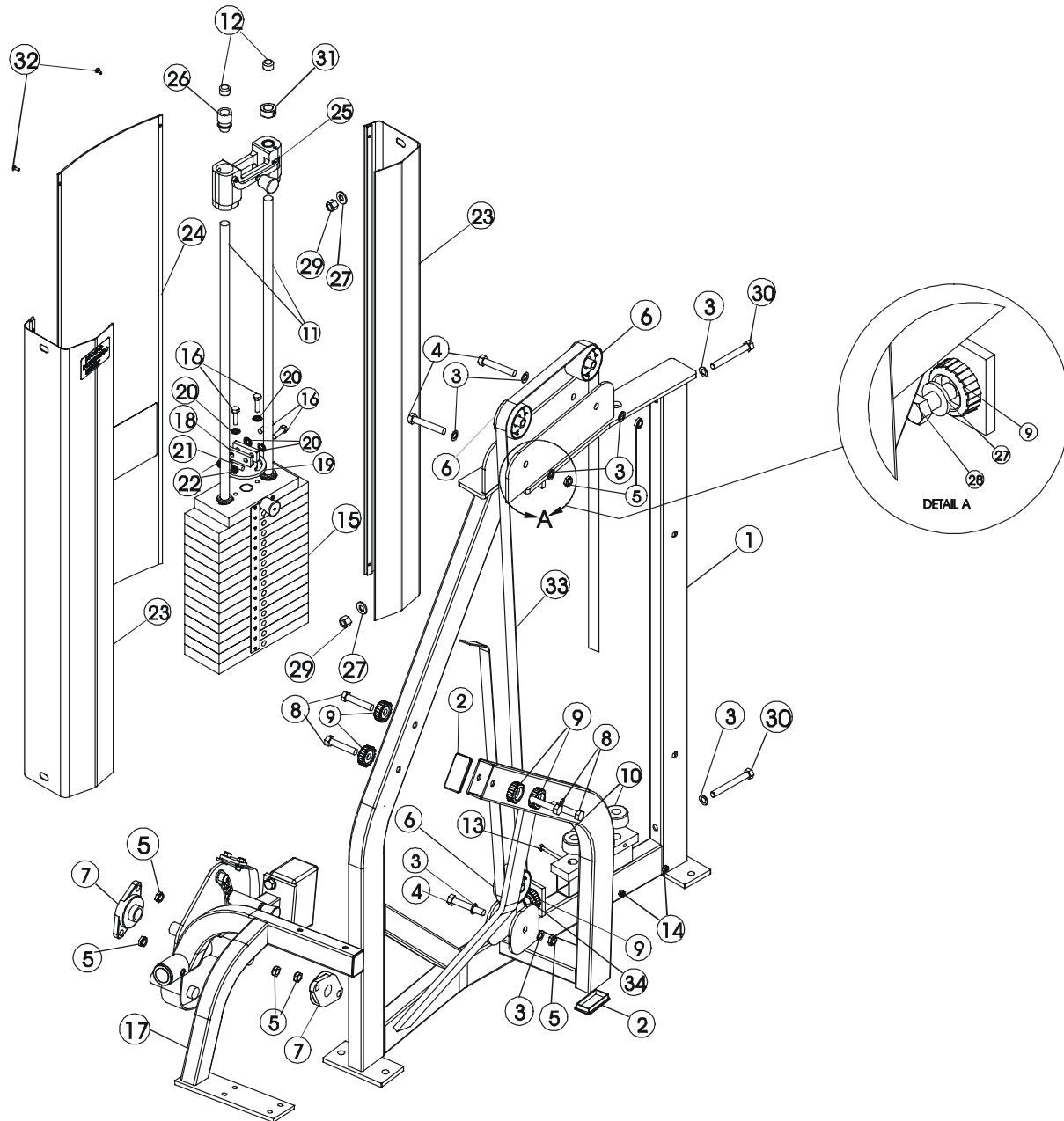
MTS Leg Curl - Exploded Assembly



ITEM NO.	QTY.	PART NO.	DESCRIPTION
1	1	MTLE-S0009	Back Frame
2	1	MTLC-A0003	Left Side Frame Assembly
3	1	MTLC-A0007	Right Side Frame Assembly
4	1	MTLC-A0001	Seat Frame Assembly
5	1	MTLE-A0002	Seat Back Assembly
6	8	0017-00042-1041	HAMMER HEAD WASHER
7	8	0017-00104-0379	1/2" Internal Lock Washer
8	8	0017-00101-1582	1/2-13 X 3.00 UNC HEX BLT G5 ZN
9	8	0017-00103-0223	1/2" THICK LOCK NUT
10	1	M051-00299-A000	HAMMER PATENT DECAL

HAMMER STRENGTH EQUIPMENT

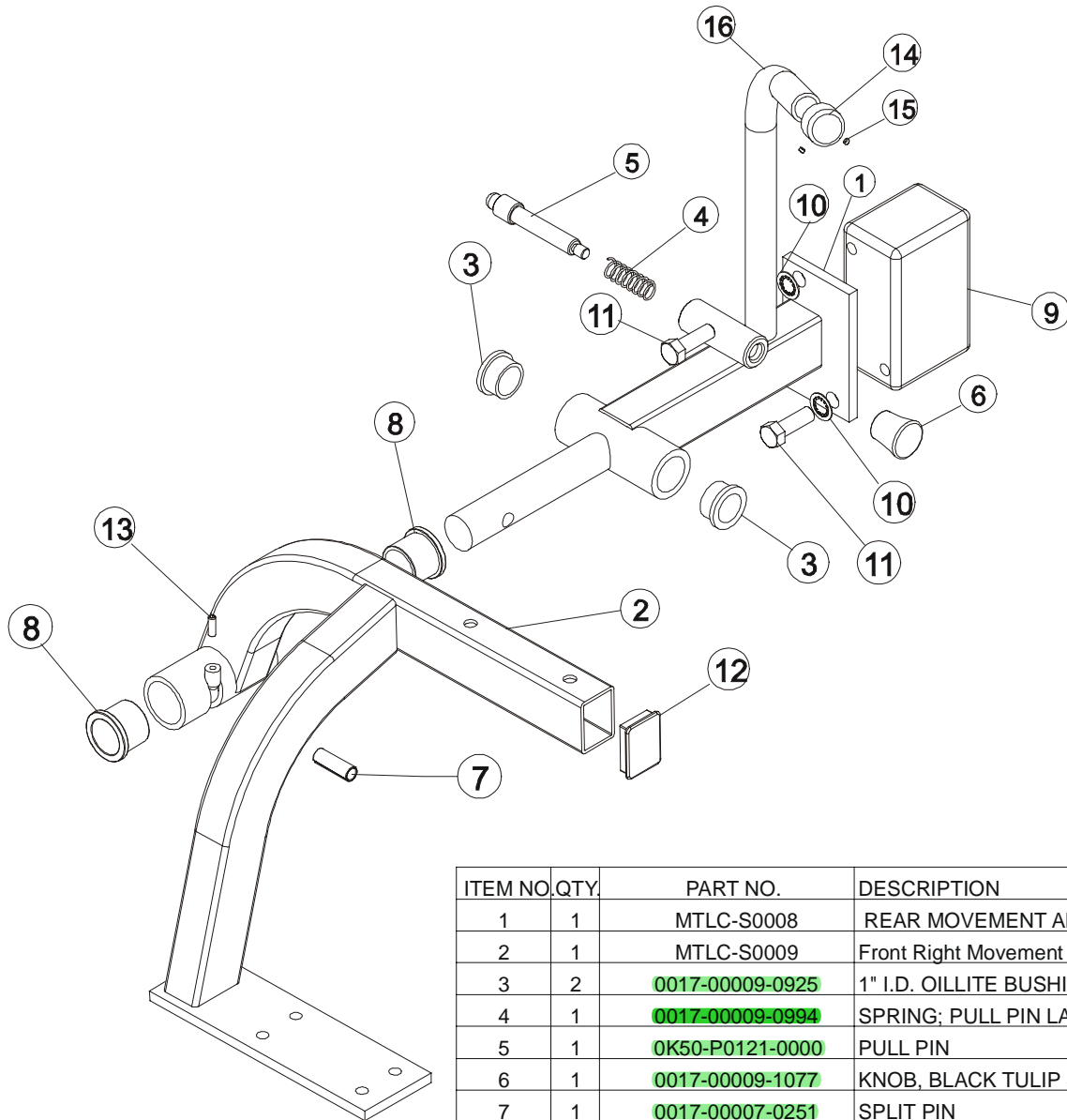
MTS Leg Curl - Right Side Frame



ITEM NO.	QTY.	PART NO.	DESCRIPTION	ITEM NO.	QTY.	PART NO.	DESCRIPTION
1	1	MILC-S0007	Side-Frame - Right	21	1	OK50-P1132	BELT WRAP PEG
2	2	0017-00042-1038	1 1/2 X 3 End Cap	22	2	0017-00103-0217	NUT 3/8 - NYLOC; THIN NY NO
3	8	0017-00104-0379	1/2" Internal Lock Washer	23	2	MILC-P0130	MTS SIDE SHIELD
4	3	0017-00101-1582	1/2 X 3 Bolt	24	1	MILC-P0131	SHIELD BACK PANEL
5	7	0017-00103-0224	1/2" Thin Lock Nut	25	1	AK50-S0021	Increment Weight Assembly
6	3	0017-00009-1039	3" PULLEY ASSEMBLY	26	1	OK50-P1110	GUIDE ROD COLLAR
7	2	0017-00009-1034	Small Bearing	27	3	0017-00104-0311	1/2" SAE Flat Washer
8	4	0017-00101-1572	1/2 X 2 1/2 Bolt	28	1	0017-00101-1583	1/2-13 X 1.25 UNC HEX BLT G5 ZN
9	6	0017-00042-1041	HAMMER HEAD WASHER	29	2	0017-00103-0223	1/2" THICK LOCK NUT
10	2	0017-00042-0993	WEIGHT STACK DONUT 1" THICK	30	2	0017-00101-1580	1/2 X 4 BOLT
11	2	0017-00009-0933(MILE)	CHROME ROD (43.25")	31	1	0017-00009-1019	3/4" Lock Collar
12	2	0017-00042-0967	3/4 I.D. BLACK PLASTIC ROD CAP	32	2	0017-00101-1587	SHIELD RIVET
13	2	0017-00101-1585	1/4 X 2 1/2 Bolt	33	1	0017-00033-0855	MILC STRAP (132")
14	2	0017-00103-0226	1/4" Thick Lock Nut	34	1	0017-00101-1586	1/2-13 X .750 UNC HEX BLT G5 BLK ZN
15	1	AK50-WS018	MTS 150 LB WEIGHT STACK	35	1	M051-00293-A000	WARNING DECAL
16	4	0017-00101-1412	3/8 X 1 1/4 Bolt	36	1	M051-00297-A000	INCREMENT WT. DECAL (RIGHT)
17	1	MILC-A0008	Movement Arm / Cam Assy	37	1	M051-00289-A000	HAMMER STRENGTH NAME PLATE
18	1	OK50-P1121	Strap Clamp 2	38	1	M051-00294-A000	WEIGHT STACK NUMBER STRIP
19	1	AK50-S0025	BELT ATTACHMENT PLATE	39	1	M051-00292-A000	HAMMER STRENGTH SHIELD DECAL
20	4	0017-00104-0377	WSH .375 INT LOCK ST ZN				

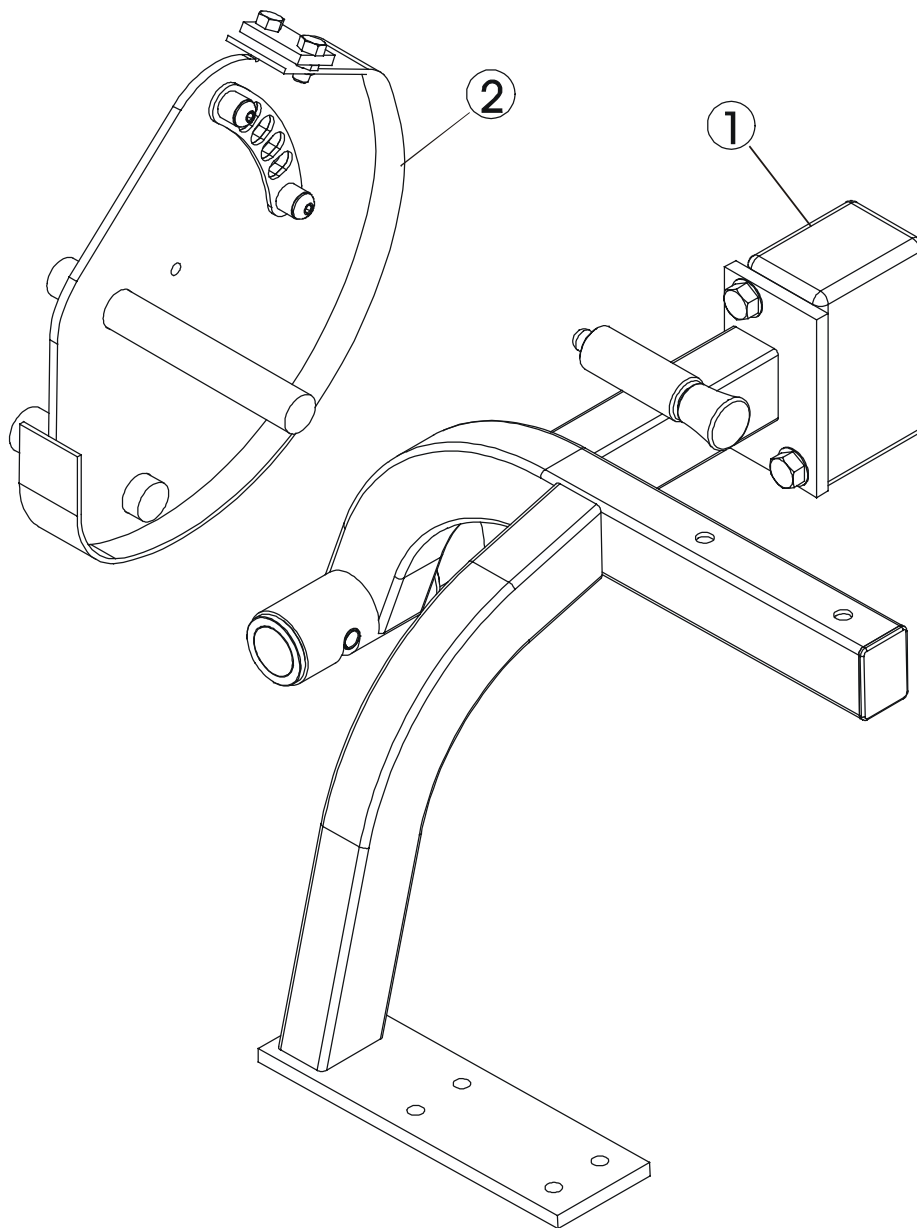
HAMMER STRENGTH EQUIPMENT

MTS Leg Curl - Right Movement Arm



ITEM NO.	QTY.	PART NO.	DESCRIPTION
1	1	MTLC-S0008	REAR MOVEMENT ARM - RIGHT
2	1	MTLC-S0009	Front Right Movement Arm
3	2	0017-00009-0925	1" I.D. OILLITE BUSHING
4	1	0017-00009-0994	SPRING; PULL PIN LARGE
5	1	0K50-P0121-0000	PULL PIN
6	1	0017-00009-1077	KNOB, BLACK TULIP STYLE
7	1	0017-00007-0251	SPLIT PIN
8	2	0017-00009-1101	1-1/2" I.D. BUSHING
9	1	MTLE-P0016	MTLE Counterweight
10	2	0017-00104-0379	WSH .500 INT LOCK ST ZN
11	2	0017-00101-1584	1/2-13 X 1.50 UNC HEX BLT G5 ZN
12	1	0017-00042-0945	1 1/2 X 2 Endcap
13	1	0017-00101-1658	1/4"-20 OVAL POINT SET SCREW
14	1	0K50-P0315-2000	END CAP
15	2	0017-00101-1406	10-32 X 1/8" SET SCREW
16	1	H-GRIP	START HANDLE GRIP (15.00")

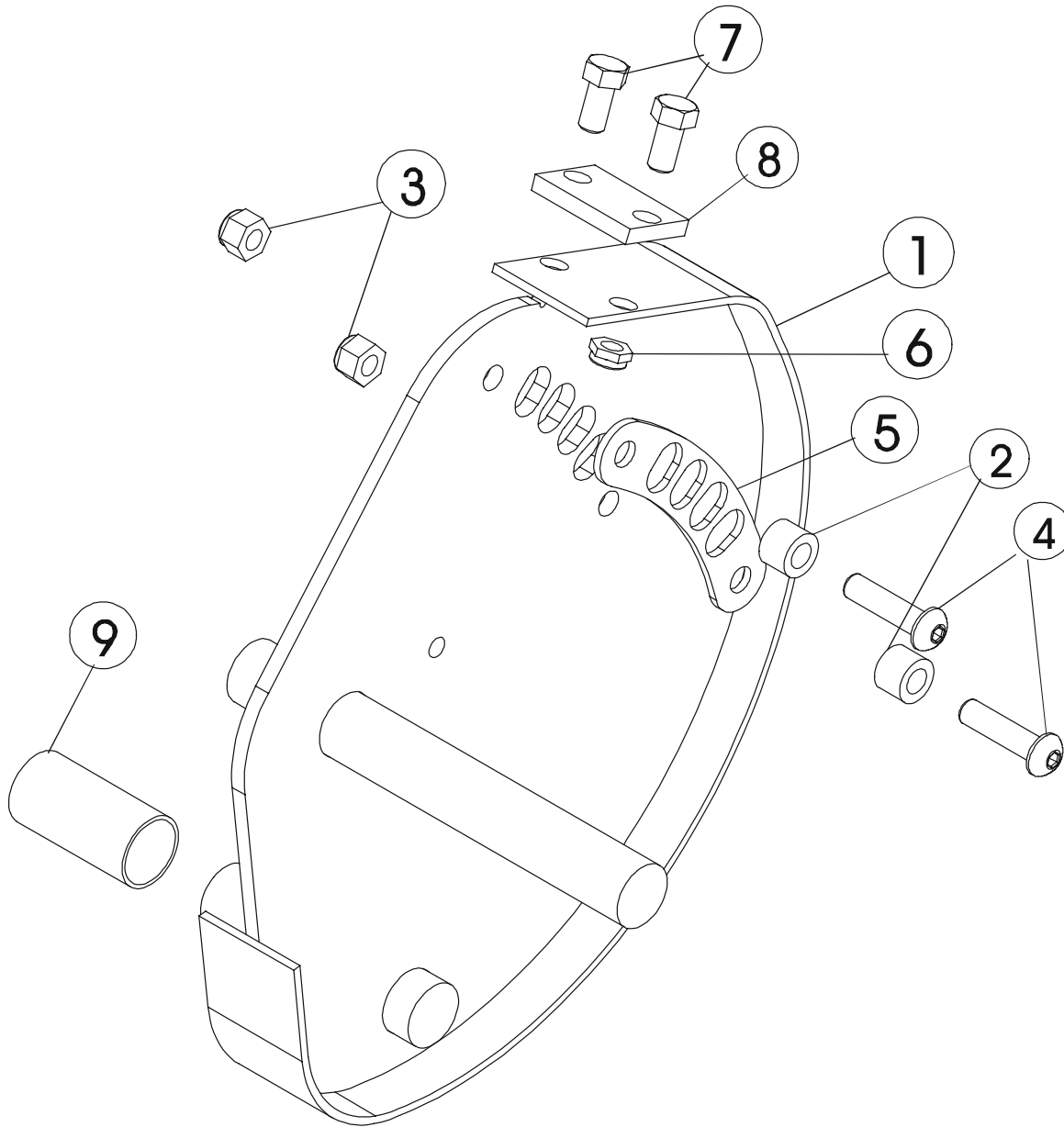
HAMMER STRENGTH EQUIPMENT
MTS Leg Curl - Right Movement Arm / Cam Assembly



ITEM NO.	QTY.	PART NO.	DESCRIPTION
1	1	MTLC-A0009	Right Movement Arm Assy
2	1	MTLC-A0010	Right Cam Assy

HAMMER STRENGTH EQUIPMENT

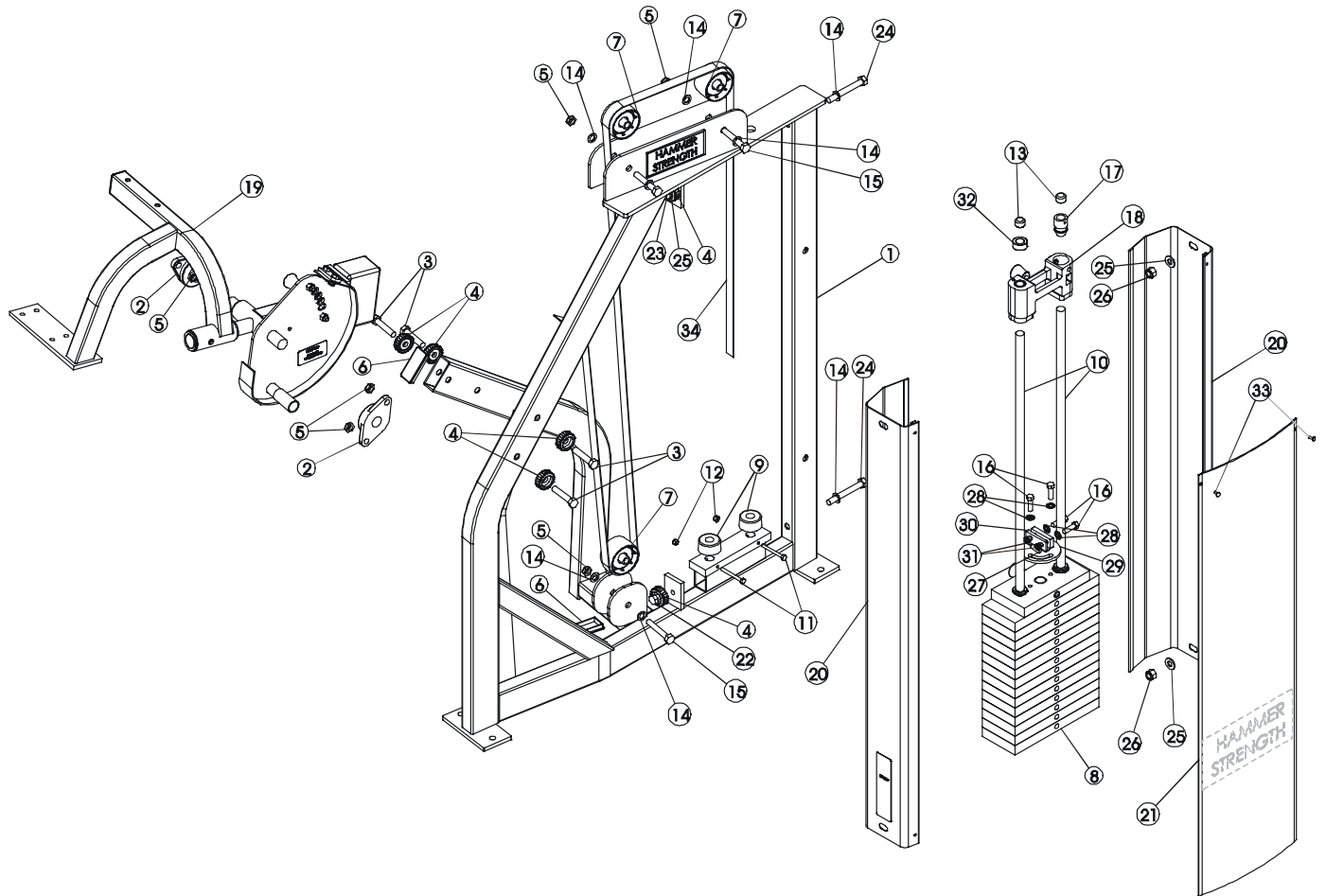
MTS Leg Curl - Right Cam Assembly



ITEM NO.	QTY.	PART NO.	DESCRIPTION
1	1	MTLC-S0010	CAM WELDMENT, RIGHT(MTLC)
2	2	0017-00009-1100	STOP, NYLON
3	2	0017-00103-0229	NUT 3/8 - 16 NYLOC D ST ZN
4	2	0017-00101-1444	3/8 - 16 X 24 HXS BTN. BLT.
5	1	OK50-P1154	PLATE, POLISHED SELECTOR
6	2	0017-00103-0217	NUT 3/8 - NYLOC; THIN NY NO
7	2	0017-00101-1428	3/8-16 X 12 UNS HEX BLT G8ZN
8	1	MTLC-P0016	STRAP CLAMP
9	1	0017-00042-0995(LC-LC)	CAM STOP (2-1/4")

HAMMER STRENGTH EQUIPMENT

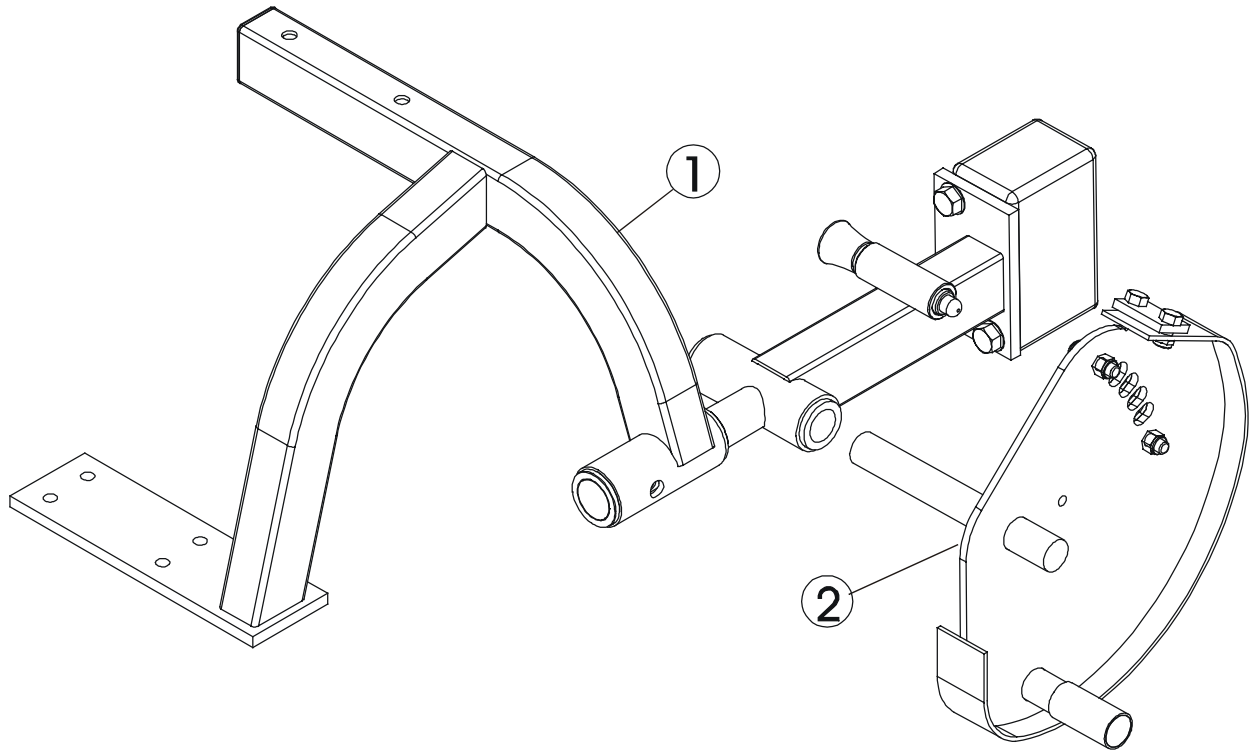
MTS Leg Curl - Left Side Frame



ITEM NO.	QTY.	PART NO.	DESCRIPTION	ITEM NO.	QTY.	PART NO.	DESCRIPTION
1	1	MTLC-S0003	Left Side Frame	22	1	0017-00101-1586	1/2 X 3/4 Bolt
2	2	0017-00009-1034	Small Bearing	23	1	0017-00101-1583	1/2 X 1 1/4 Bolt
3	4	0017-00101-1572	1/2 X 2 1/2 Bolt	24	2	0017-00101-1580	1/2 X 4 Bolt
4	6	0017-00042-1041	HAMMER HEAD WASHER	25	3	0017-00104-0311	1/2" SAE Flat Washer
5	7	0017-00103-0224	1/2" Thin Lock Nut	26	2	0017-00103-0223	1/2" Thick Lock Nut
6	2	0017-00042-1038	1 1/2 X 3 End Cap	27	1	OK50-P1132	BELT WRAP PEG
7	3	0017-00009-1039	3" PULLEY ASSEMBLY	28	4	0017-00104-0377	WSH .375 INT LOCK ST ZN
8	1	AK50-WS018	MTS 150 LB WEIGHT STACK	29	1	AK50-S0023	BELT ATTACHMENT PLATE
9	2	0017-00042-0993	WEIGHT STACK DONUT 1" THICK	30	1	OK50-P1121	Strap Clamp 2
10	2	0017-00009-0933(MTLE)	CHROME ROD (43.25")	31	2	0017-00103-0217	NUT 3/8 - NYLOC; THIN NY NO
11	2	0017-00101-1585	1/4 X 2 1/2 Bolt	32	1	0017-00009-1019	3/4" Lock Collar
12	2	0017-00103-0226	1/4" Thick Lock Nut	33	2	0017-00101-1587	SHIELD RIVET
13	2	0017-00042-0967	3/4 I.D. BLACK PLASTIC ROD CAP	34	1	0017-00033-0855	MTLC STRAP (132")
14	8	0017-00104-0379	1/2" Internal Lock Washer	35	1	M051-00293-A000	WARNING DECAL
15	3	0017-00101-1582	1/2 X 3 Bolt	36	1	M051-00335-A000	WARNING DECAL
16	4	0017-00101-1412	3/8 X 1 1/4 Bolt	37	1	M051-00292-A000	HAMMER STRENGTH SHIELD DECAL
17	1	OK50-P1110	GUIDE ROD COLLAR	38	1	M051-00294-A000	WEIGHT STACK NUMBER STRIP
18	1	AK50-S0021	Increment Weight Assembly	39	1	M051-00298-A000	INCREMENT WT. DECAL (LEFT)
19	1	MTLC-A0004	Movement Arm/Cam Assy	40	1	M051-00289-A000	HAMMER STRENGTH NAME PLATE
20	2	MTLC-P0130	MTS SIDE SHIELD	41	1	M051-00435-A000	MTS LEG EXTENSION
21	1	MTLC-P0131	SHIELD BACK PANEL				

HAMMER STRENGTH EQUIPMENT

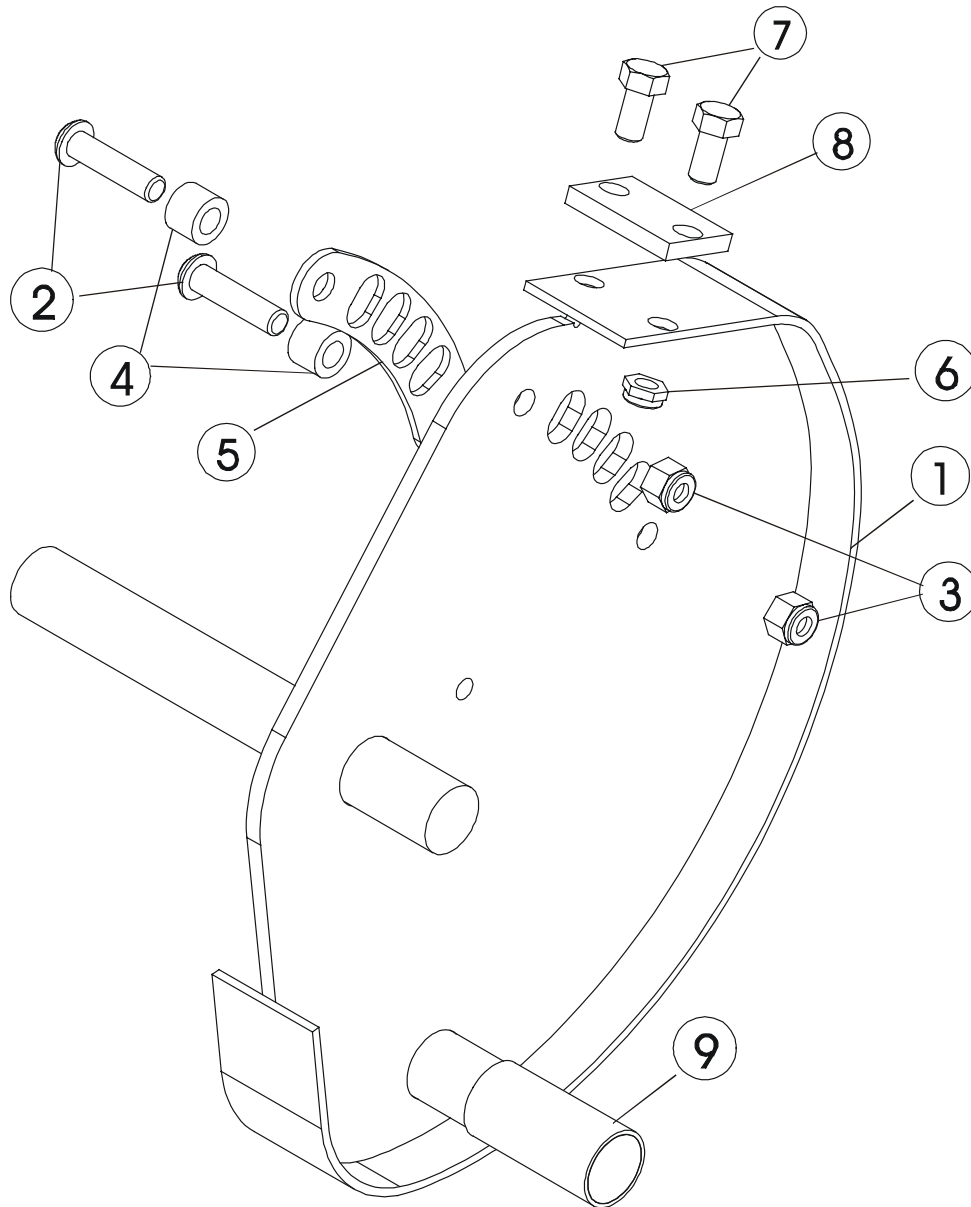
MTS Leg Curl - Left Movement Arm / Cam Assembly



ITEM NO.	QTY.	PART NO.	DESCRIPTION
1	1	MTLC-A0005	LEFT M.A. ASSEMBLY
2	1	MTLC-A0006	Cam Assy - Left

HAMMER STRENGTH EQUIPMENT

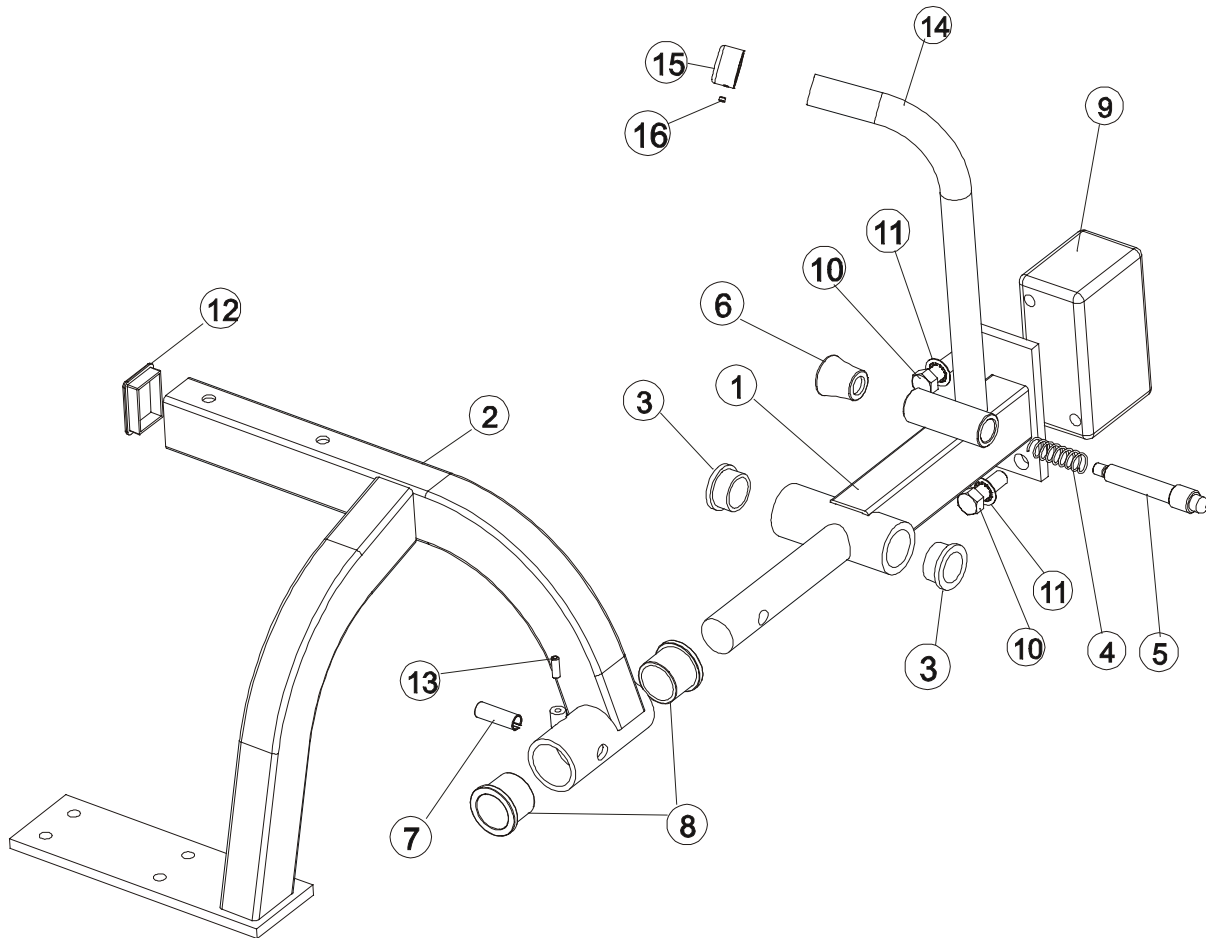
MTS Leg Curl - Left Cam Assembly



ITEM NO.	QTY.	PART NO.	DESCRIPTION
1	1	MTLC-S0011	CAM WELDMENT, LEFT(MTLC)
2	2	0017-00101-1444	3/8 - 16 X 24 HXS BTN. BLT.
3	2	0017-00103-0229	NUT 3/8 - 16 NYLOC D ST ZN
4	2	0017-00009-1100	STOP, NYLON
5	1	OK50-P1154	PLATE, POLISHED SELECTOR
6	2	0017-00103-0217	NUT 3/8 - NYLOC; THIN NY NO
7	2	0017-00101-1428	3/8-16 X 12 UNS HEX BLT G8ZN
8	1	MTLC-PO016	STRAP CLAMP
9	1	0017-00042-0995(LE-LC)	CAM STOP (2-1/4")

HAMMER STRENGTH EQUIPMENT

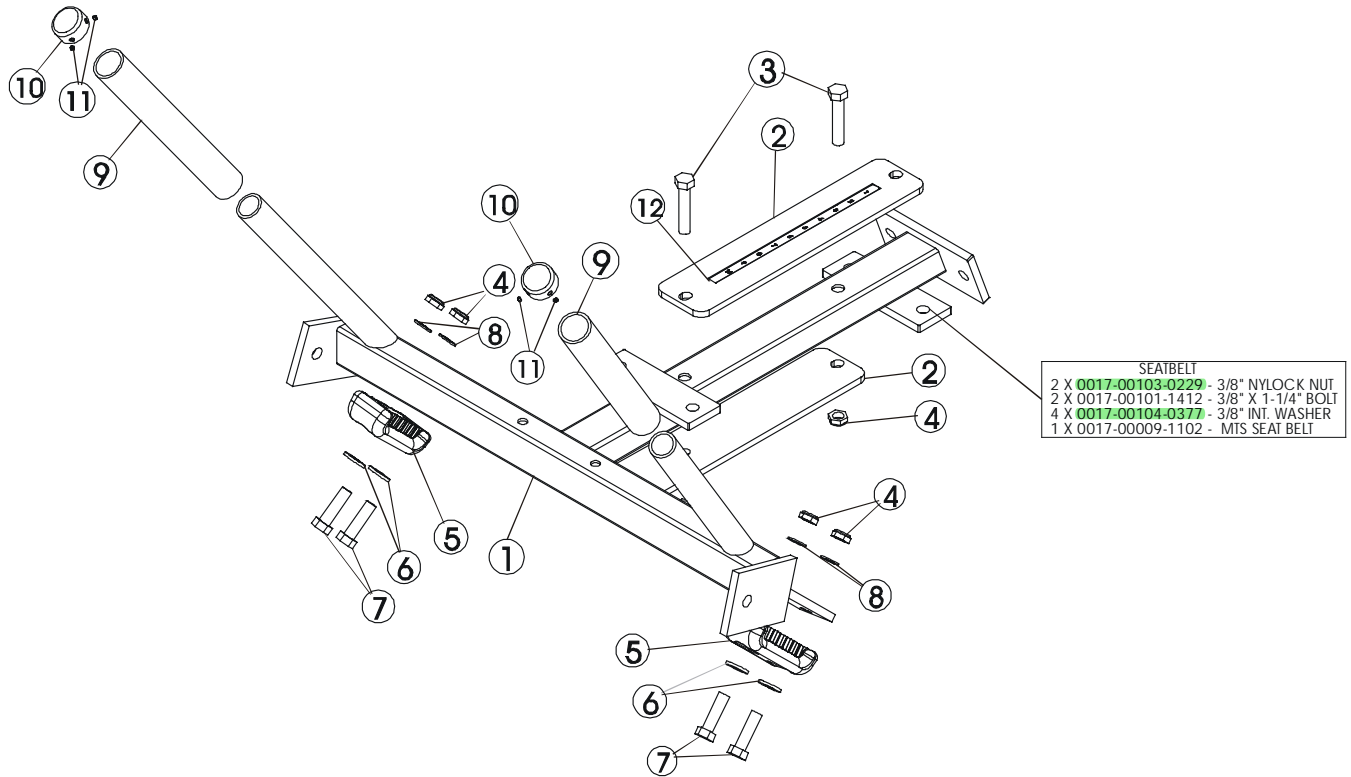
MTS Leg Curl - Left Movement Arm Assembly



ITEM NO.	QTY.	PART NO.	DESCRIPTION
1	1	MTLC-S0004	Rear Movement Arm - Left
2	1	MTLC-S0005	Front Movement Arm - Left
3	2	0017-00009-0925	1" I.D. OILLITE BUSHING
4	1	0017-00009-0994	SPRING; PULL PIN LARGE
5	1	0K50-P0121-0000	PULL PIN
6	1	0017-00009-1077	KNOB, BLACK TULIP STYLE
7	1	0017-00007-0251	SPLIT PIN
8	2	0017-00009-1101	1-1/2" I.D. BUSHING
9	1	MTLE-P0016	MTLE Counterweight
10	2	0017-00101-1584	1/2-13 X 1.50 UNC HEX BLT G5 ZN
11	2	0017-00104-0379	WSH .500 INT LOCK ST ZN
12	1	0017-00042-0945	1 1/2 X 2 Endcap
13	1	0017-00101-1658	1/4"-20 OVAL POINT SET SCREW
14	1	H-GRIP	START HANDLE GRIP (15.00")
15	1	0K50-P0315-2000	END CAP
16	2	0017-00101-1406	10-32 X 1/8" SET SCREW

HAMMER STRENGTH EQUIPMENT

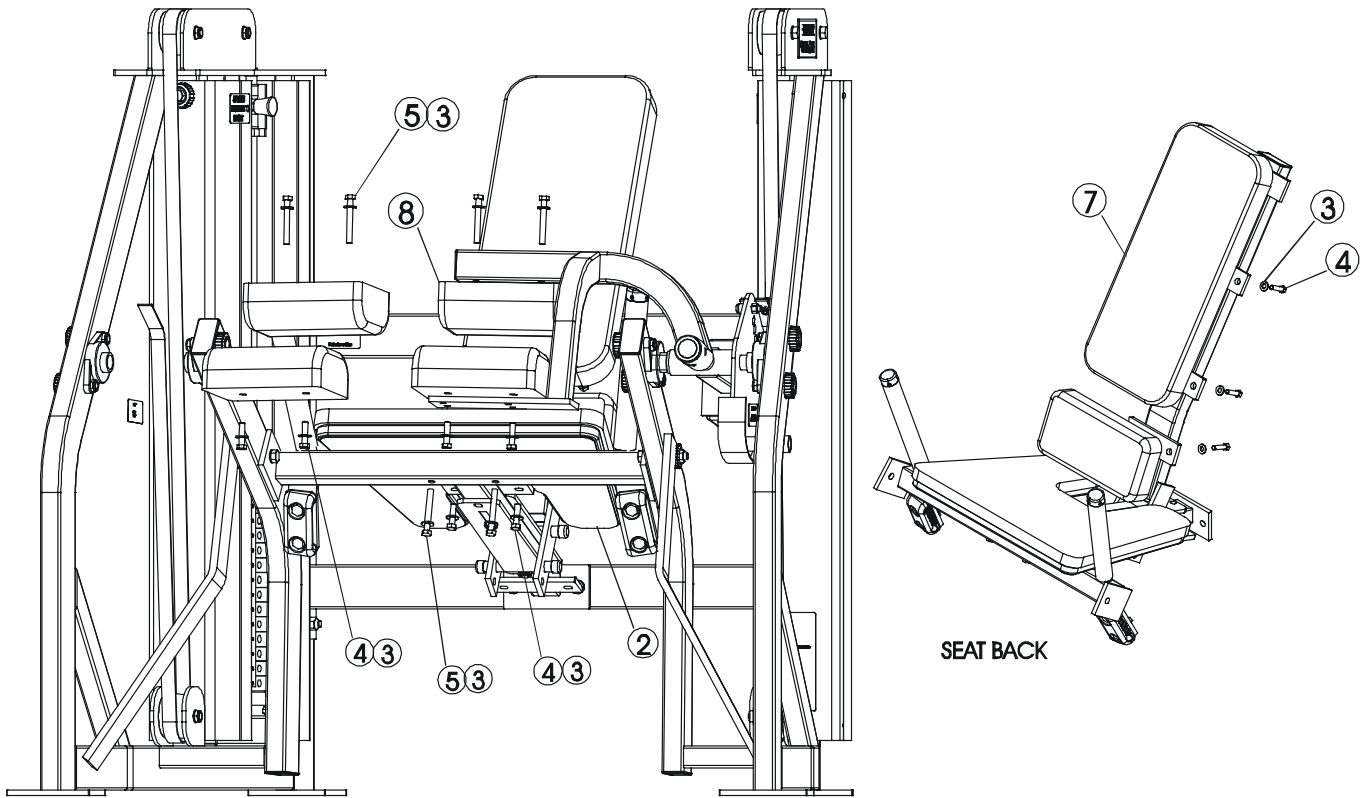
MTS Leg Curl - Seat Frame Sub Assembly



ITEM NO.	QTY.	PART NO.	DESCRIPTION
1	1	MTLC-S0001	SEAT FRAME SUB ASSEMBLY
2	2	OK50-P1017	Seatrack Front
3	2	0017-00101-1572	1/2 X 2 1/2 Bolt
4	6	0017-00103-0224	1/2" Thin Lock Nut
5	2	0017-00042-1040	RUBBER BUMPER
6	4	0017-00104-0311	1/2" SAE Flat Washer
7	4	0017-00101-1595	1/2 X 1 3/4 Bolt
8	4	0017-00104-0379	1/2" Internal Lock Washer
9	2	0017-00042-0996(MTLC)	HAND GRIP(10.5")
10	2	OK50-P0315-4000	ALLUMINUM END CAP
11	4	0017-00101-1406	10-32 X 1/8" SET SCREW
12	1	M051-00296-A000	SEAT ADJUSTMENT NUMBER STRIP

HAMMER STRENGTH EQUIPMENT

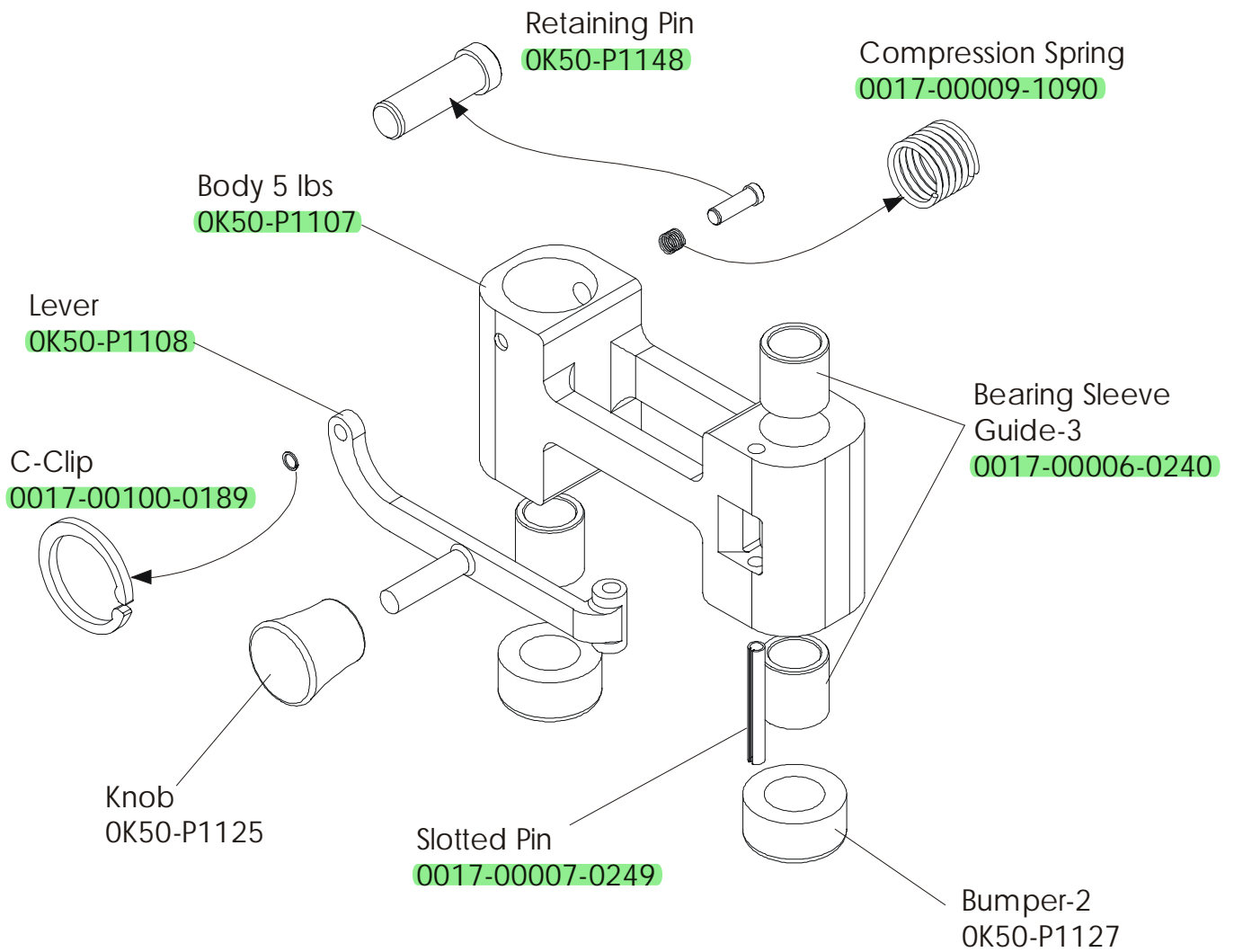
MTS Leg Curl - Pads



ITEM NO.	QTY.	PART NO.	DESCRIPTION
1	1	MTLC-A0000	TOP ASSEMBLY
2	1	OK50-US075-0000	MTLC SEAT PAD
3	18	0017-00104-0377	3/8" Internal Lock Washer
4	12	0017-00101-1411	3/8 -16X24 UNS HEX BLT G5 ZN
5	6	0017-00101-1422	3/8 X 3 Bolt
6	1	OK50-US068-0000	12" Rectangular Pad
7	1	OK50-US069-0000	Standard 24" Pad
8	4	OK50-US070-0000	Standard 8" Pad

HAMMER STRENGTH EQUIPMENT

MTS Leg Curl - Increment Weight Assembly



HAMMER STRENGTH EQUIPMENT

MTS Leg Curl - Weight Stack

